



Fitting List and Diagram for 10ft x 10ft x 7'-9" Tall Gambrel Style Greenhouse




15 ghf851
Gambrel Fitting




4 ghf105g
Angled "T" fitting



4 ghf104g
Corner fitting



12 ghf101g
"T" fitting



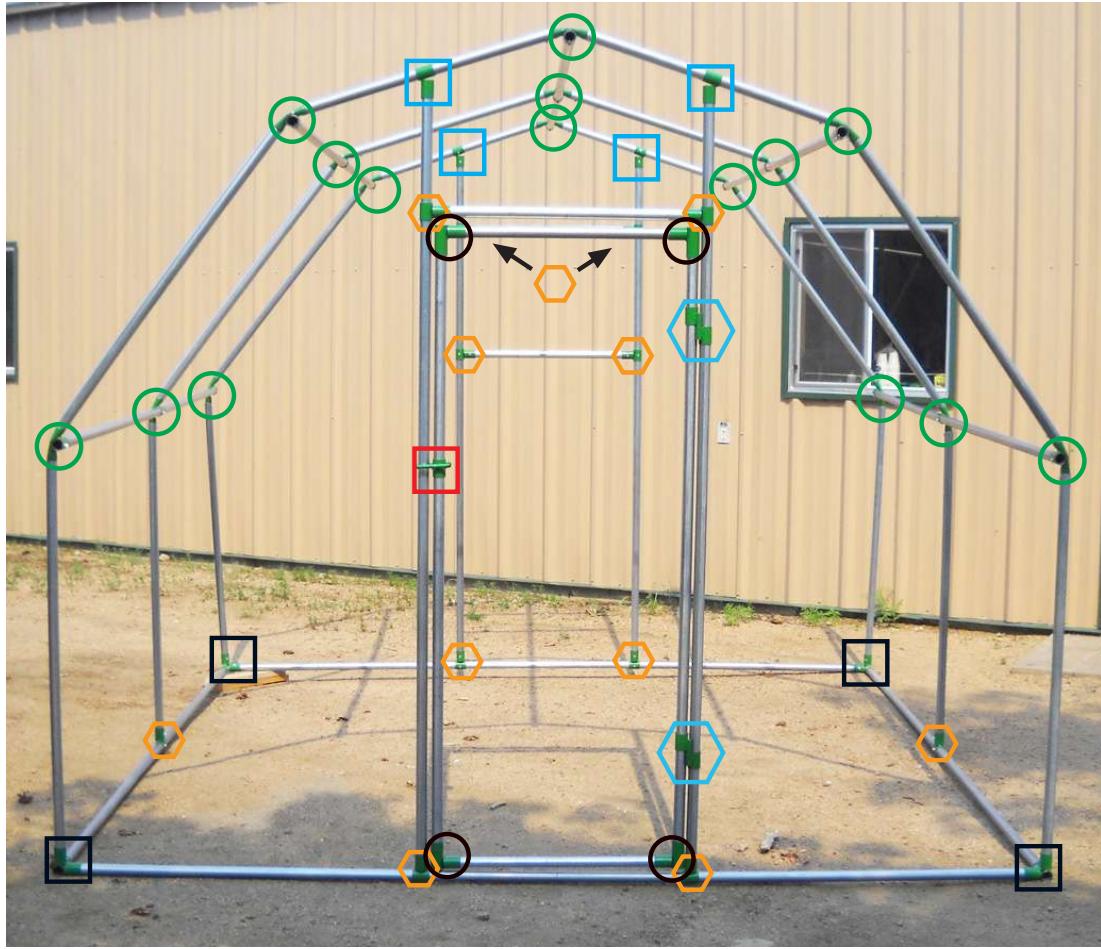
4 ghf106g
Elbow fitting



1 ghf 108g
Latch Fitting



2 ghf107g
Hinge Fitting



10ft x 15ft Gambrel
Add these fittings



2 ghf101g
"T" fitting



5 ghf851
Gambrel Fitting

10ft x 20ft Gambrel
Add these fittings



4 ghf101g
"T" fitting



10 ghf851
Gambrel Fitting

1" EMT Tubing Lengths.

10ft wide x 10ft long x 7'-9" Tall

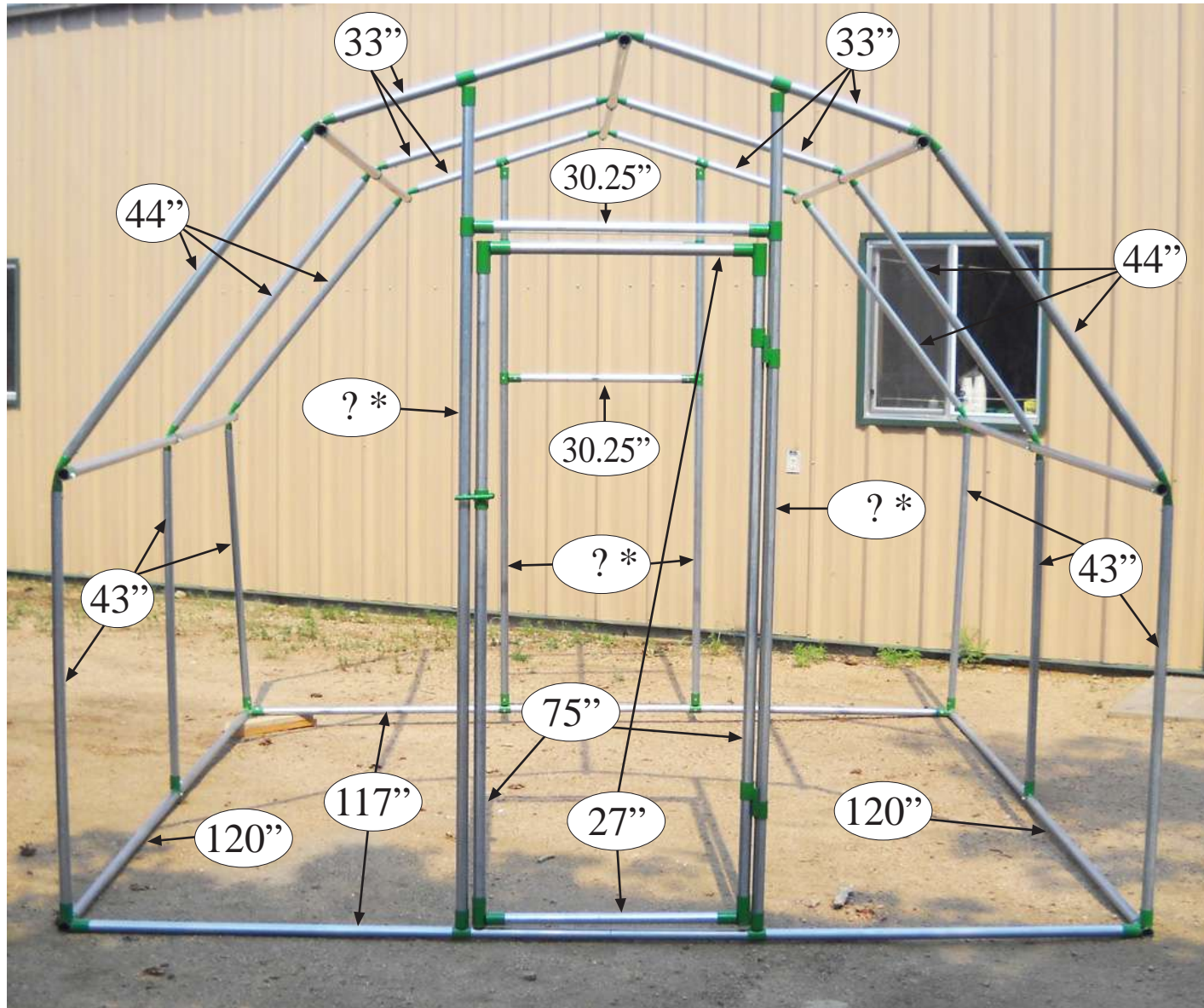
? *

The Height of these 4 braces will vary. They will all be the same length, but that length is determined after base and arches are assembled.

IMPORTANT!

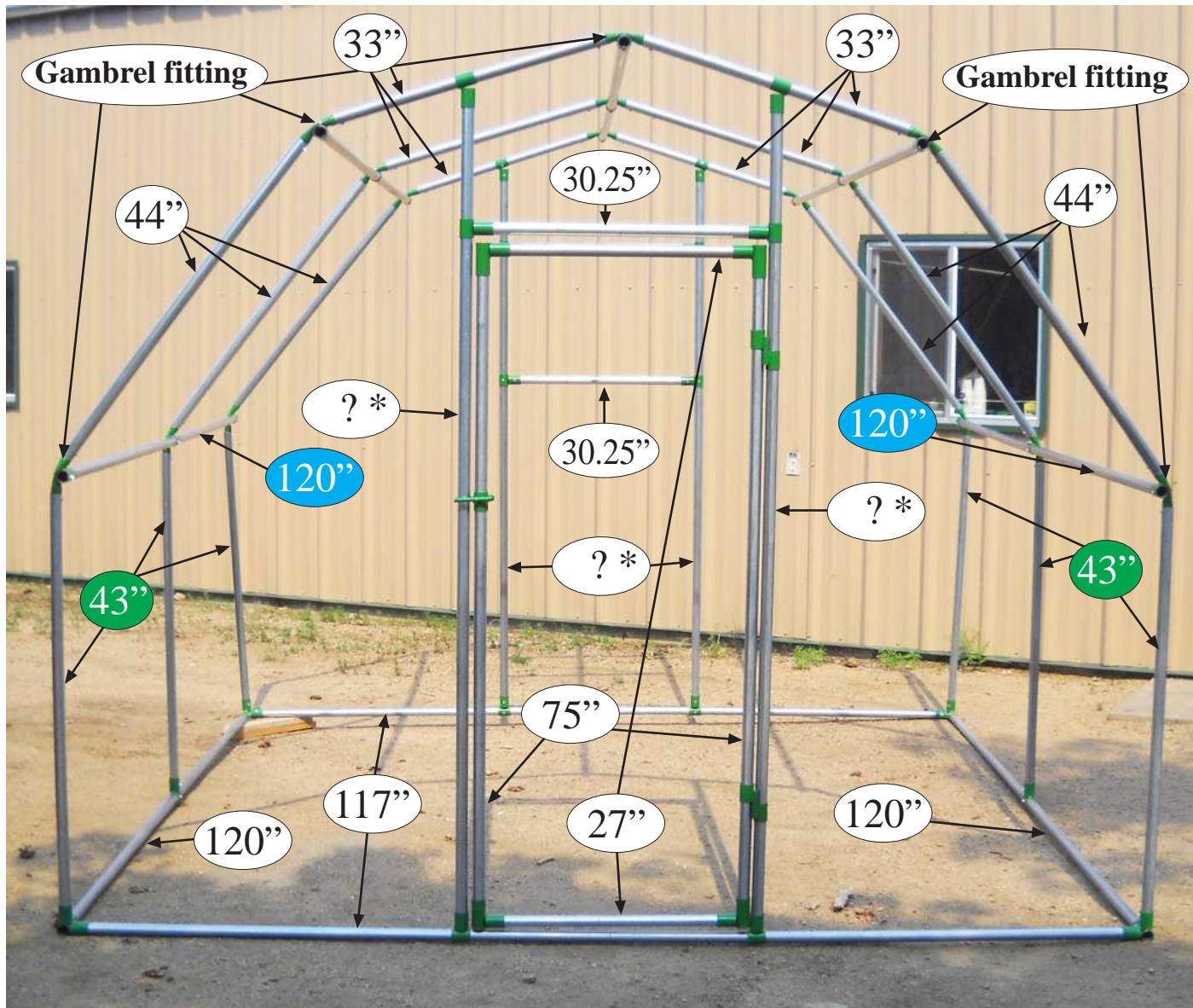
One 43"
 One 44"
 One 33"
 Can all be cut from
 one 10ft(120")
 section of
 1" EMT tubing.

$$43 + 44 + 33 = 120"$$



Assembly Instructions

10ft wide x 10ft long x 7'-9" Tall



- 1) Assemble base first, using your 4 corner fittings. Be sure to slide on your "T" fittings before attaching tubing to corners. Insert the self-tapping screws into the corner fittings.

IMPORTANT! Make sure to install the fittings with the screw holes towards the inside of greenhouse.

- 2) Next, place the 43" sections of tubing into the corners and "T" fittings. Evenly space with the 2 47" tubing sections between the corners and install screws. (There will be 4 - 43" sections on a 15ft. long greenhouse.)

- 3) Next slide the gambrel fittings onto the next (2) 120" sections. Install into the 43" uprights, install screws. Continue this process on the 44" and 33" sections of tubing.

IMPORTANT! Be sure to slide the "Angled T" fittings onto the 33" sections facing as shown in picture, the "angled t" fitting will not be the exact angle but they can be bent into place.

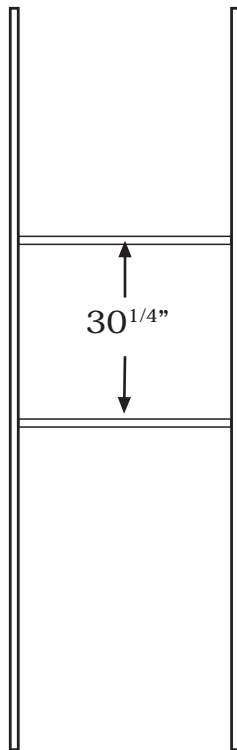
- 4) Once the basic frame is complete you can now install the ends.

Assembly Instructions

10ft wide x 10ft long

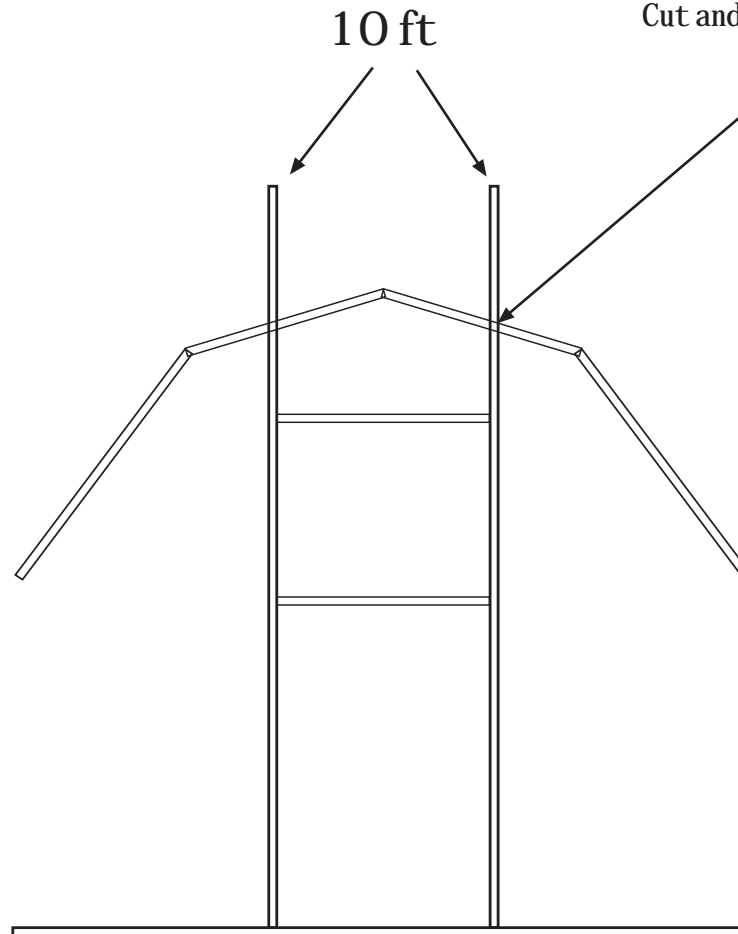
5) Assemble your back window frame first.

- Cut 2 - 30^{1/4}" sections of tubing.
- Install them using 4 "T" fittings onto 2 10ft. sections of tubing. You determine the size and height you want your window opening. Insert screws.



6) Install and center on greenhouse frame.

Cut and install into 'Angled T' Fittings.

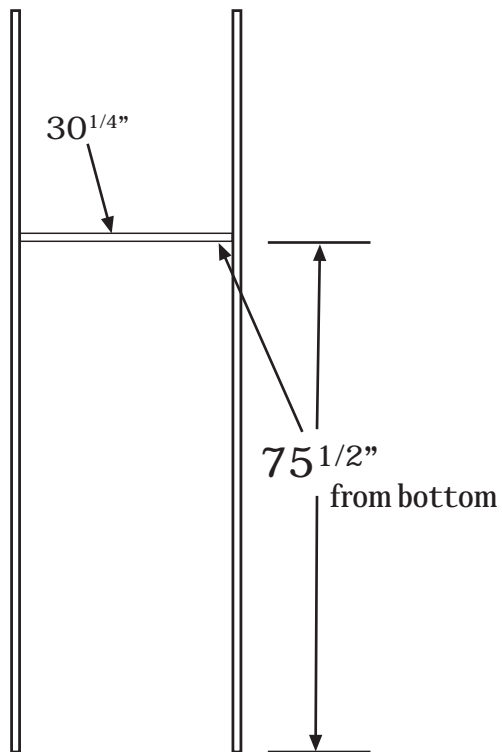


It is easier to assemble on a flat surface.

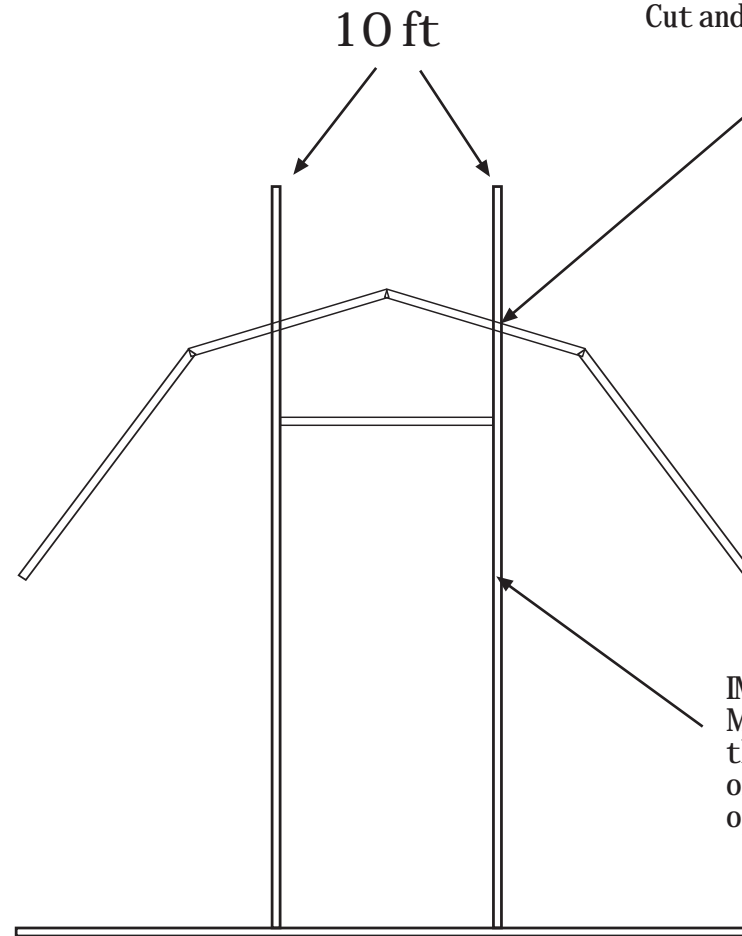
Assembly Instructions

10ft wide x 10ft long

- 7) Next will be the assembly of Door Frame.
- Cut 1 - 30^{1/4}" section of tubing.
 - Install it using 2 "T" fittings onto 2 10ft. sections of tubing at 75^{1/2}" from bottom of tubing.



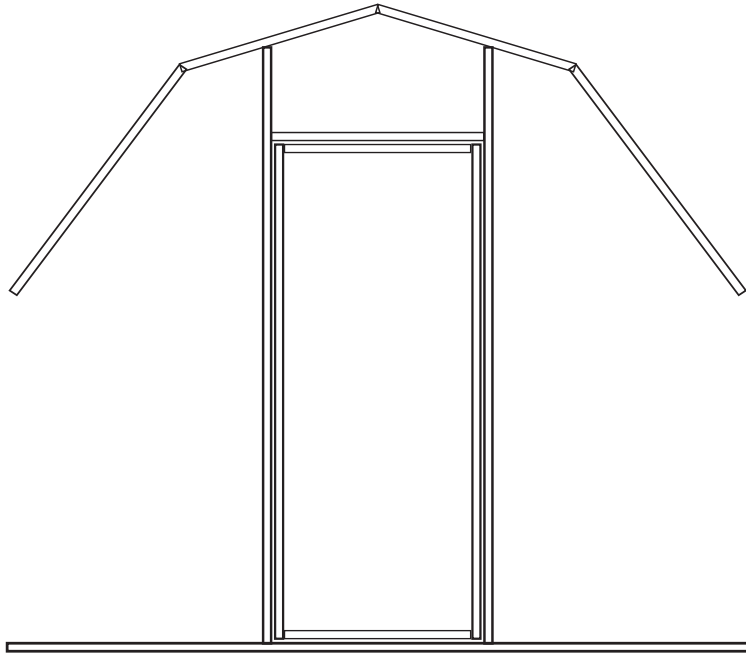
- 8) Install and center on greenhouse frame.
- Cut and install into 'Angled T' Fittings.



It is easier to assemble on a flat surface.

Assembly Instructions

10ft wide x 10ft long



10) Install doorway and your greenhouse frame is complete.

9) Cut 2 - 27" sections of tubing.
Cut 2 - 75" sections of tubing.
Join together with the 90 degree elbow fittings. Make sure fittings are installed as shown in picture.

IMPORTANT!
Slide on both male sections of the hinges and also the latch before assembling door.

