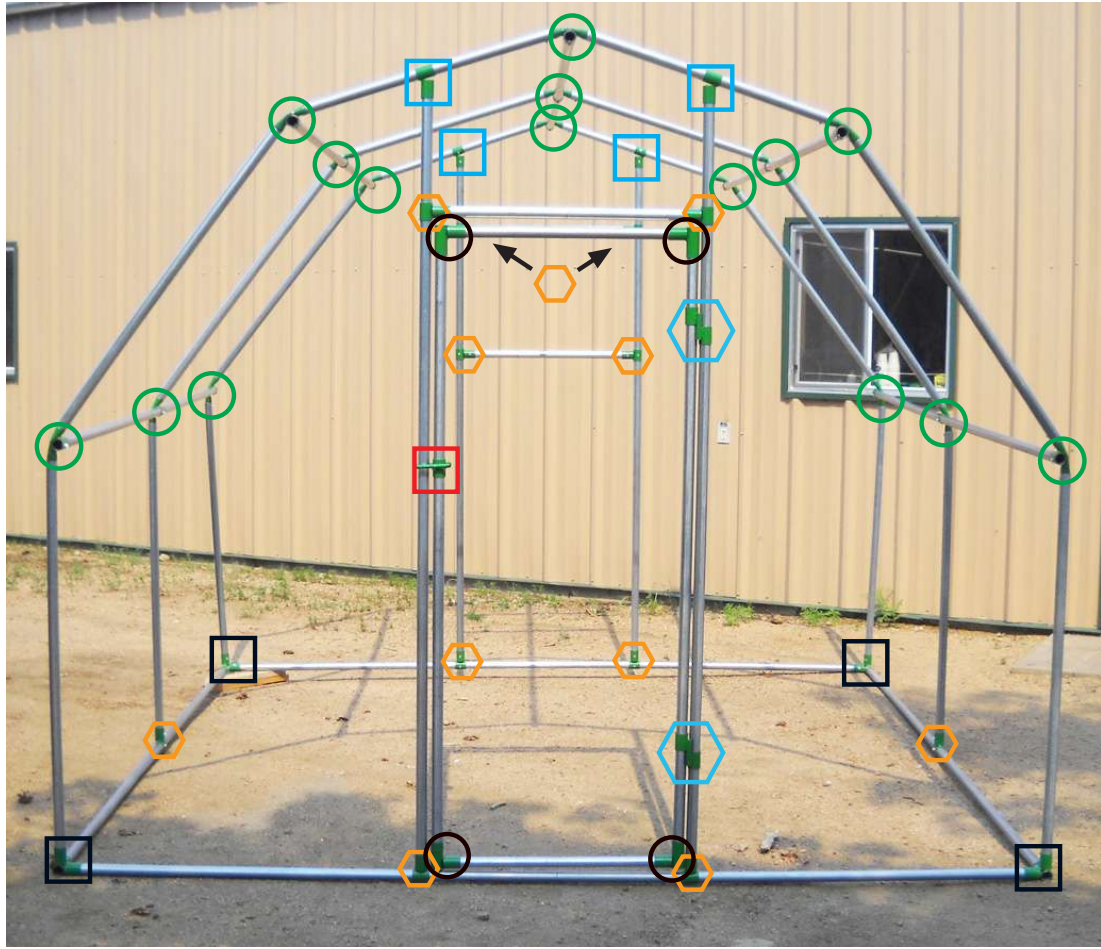
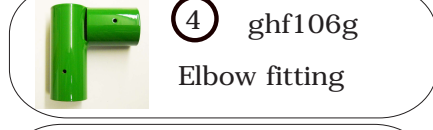
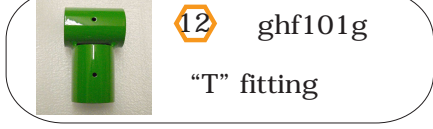
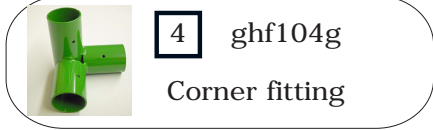
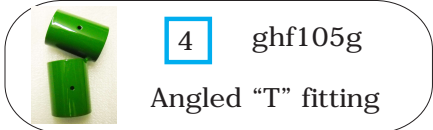


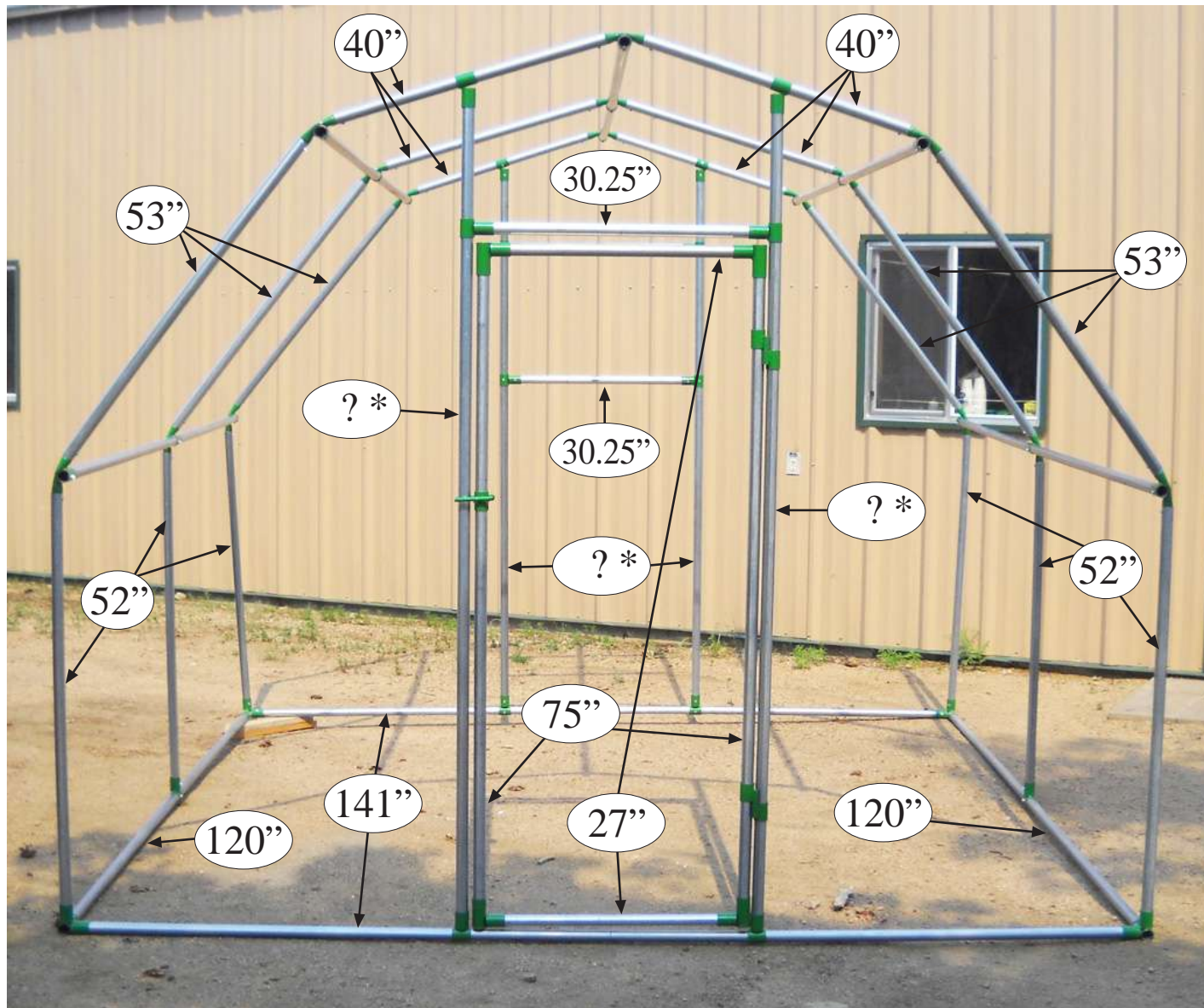
Fitting List and Diagram for 12ft x 10ft x 9'-5" Tall Gambrel Style Greenhouse



1-3/8" Chainlink Top Rail Tubing Lengths. 12ft wide x 10ft long x 9'-5" Tall

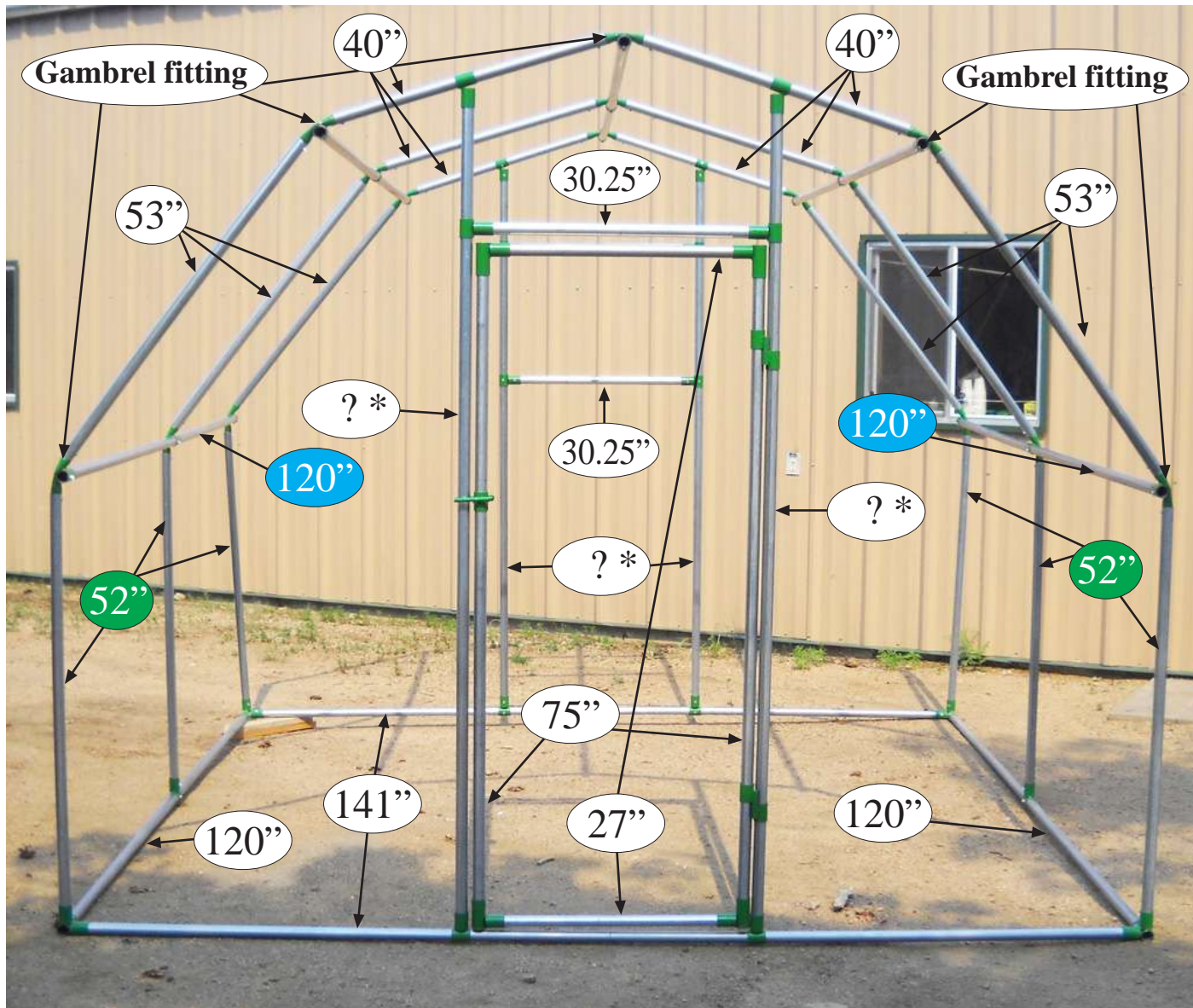
? *

The Height of these 4 braces will vary. They will all be the same length, but that length is determined after base and arches are assembled.



Assembly Instructions

12ft wide x 10ft long x 9'-5" Tall



- 1) Assemble base first, using your 4 corner fittings. Be sure to slide on your "T" fittings before attaching tubing to corners. Insert the self-tapping screws into the corner fittings.

IMPORTANT! Make sure to install the fittings with the screw holes towards the inside of greenhouse.

- 2) Next, place the 52" sections of tubing into the corners and "T" fittings. Evenly space the 2 52" tubing sections between the corners and install screws. (There will be 4 - 52" sections on a 15ft. long greenhouse.)

- 3) Next slide the gambrel fittings onto the next (2) 120" sections. Install into the 52" uprights, install screws. Continue this process on the 53" and 40" sections of tubing.

IMPORTANT! Be sure to slide the "Angled T" fittings onto the 40" sections facing as shown in picture, the "angled t" fitting will not be the exact angle but they can be bent into place.

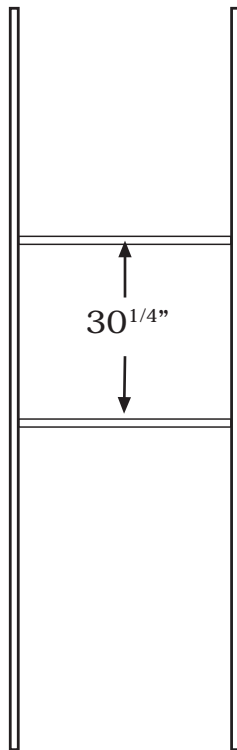
- 4) Once the basic frame is complete you can now install the ends.

Assembly Instructions

12ft wide x 10ft long

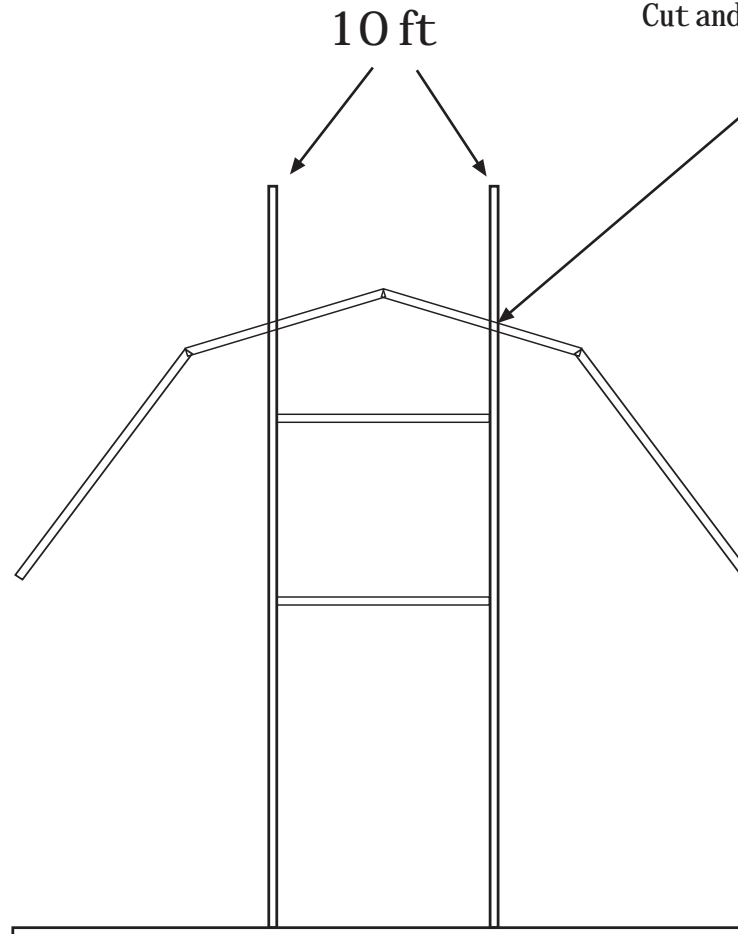
5) Assemble your back window frame first.

- Cut 2 - 30^{1/4}" sections of tubing.
- Install them using 4 "T" fittings onto 2 10ft. sections of tubing. You determine the size and height you want your window opening. Insert screws.



6) Install and center on greenhouse frame.

Cut and install into 'Angled T' Fittings.

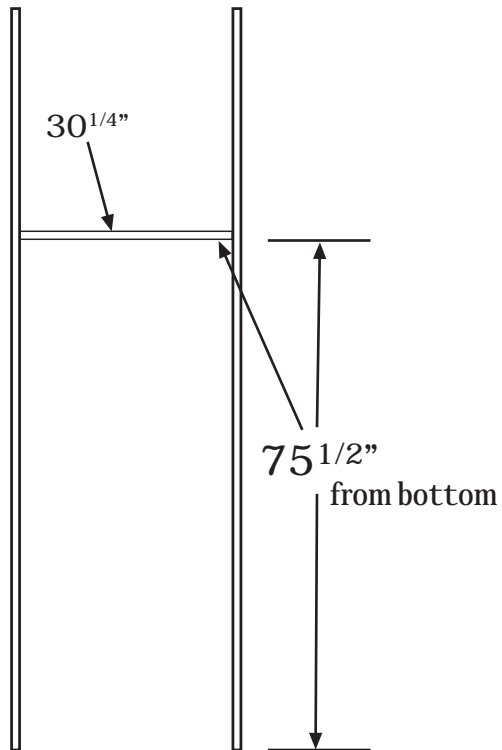


It is easier to assemble on a flat surface.

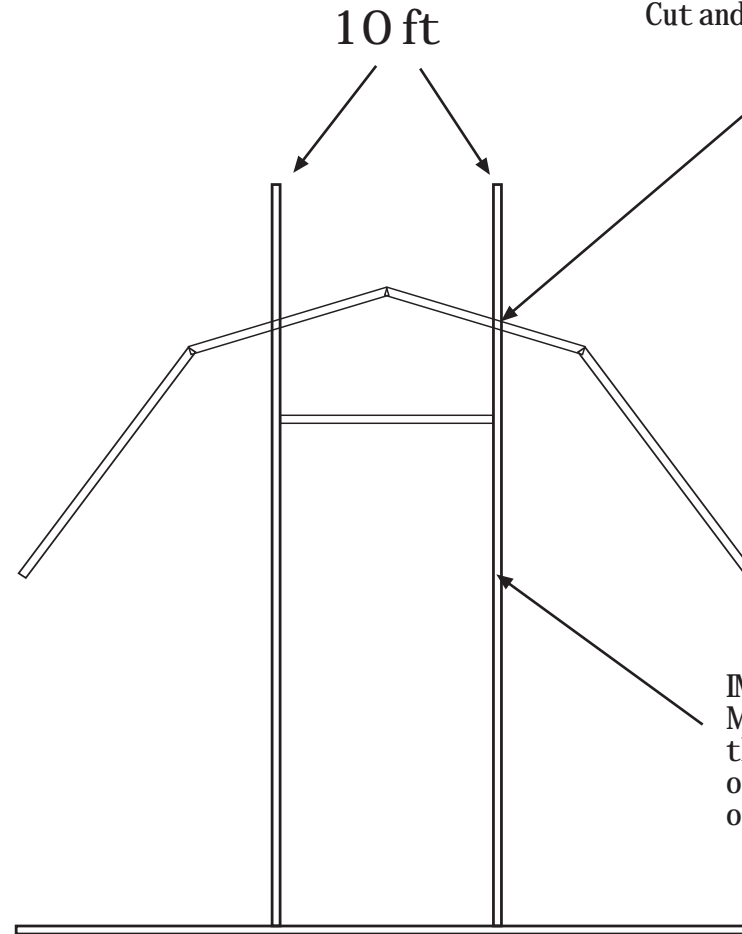
Assembly Instructions

12ft wide x 10ft long

- 7) Next will be the assembly of Door Frame.
- Cut 1 - 30^{1/4}" section of tubing.
 - Install it using 2 "T" fittings onto 2 10ft. sections of tubing at 75^{1/2}" from bottom of tubing.



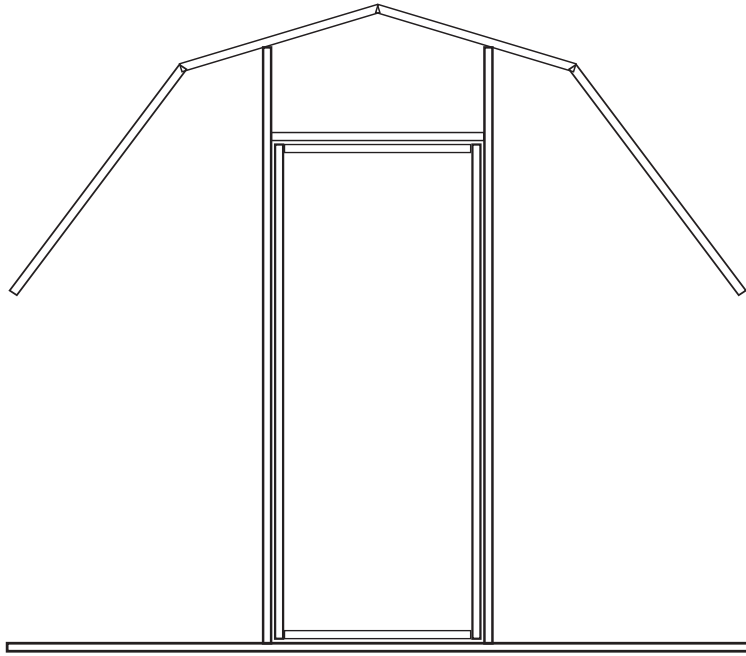
- 8) Install and center on greenhouse frame.
- Cut and install into 'Angled T' Fittings.



It is easier to assemble on a flat surface.

Assembly Instructions

12ft wide x 10ft long



10) Install doorway and your greenhouse frame is complete.

9) Cut 2 - 27" sections of tubing.
Cut 2 - 75" sections of tubing.
Join together with the 90 degree elbow fittings. Make sure fittings are installed as shown in picture.

IMPORTANT!
Slide on both male sections of the hinges and also the latch before assembling door.

